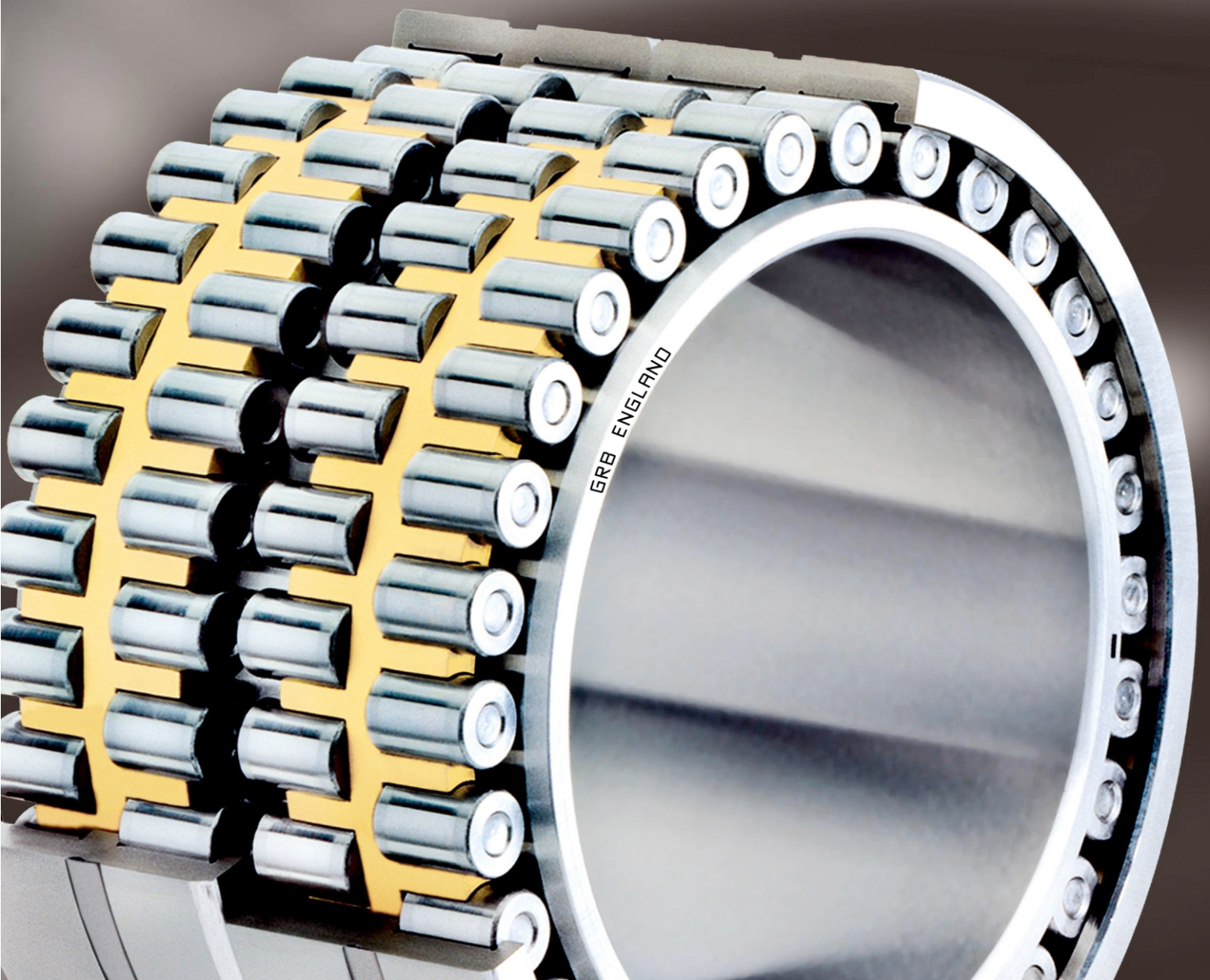




CANADA

GESTION ROULEMENTS BEARINGS





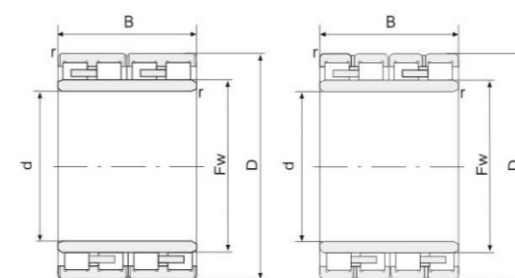
Four-row Cylindrical Roller Bearings



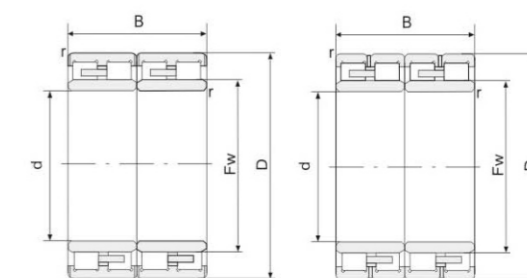
Symbol Description Of Four-row Cylindrical Roller Bearings >>>

FC3854200/P63
Example: Rolling Bearing **FC3854200/P63**

FC		Structural characteristic of bearing
38		Nominal inner diameter/5(190mm)
54		Nominal outer diameter/5 (270mm)
200		Nominal width(200mm)
P63		Grade of Tolerance(6)、Radial Clearance(Group3)



FC



FCD

Four-row Cylindrical Roller Bearings

Boundary dimensions (mm)					Basic load ratings (kN)		Speed rating (rpm)		Designations	Weight (kg)		Equivalent to foreign designations (For your information)				
d	D	B	Fw	r _{min}	Cr	Cor	Grease	Oil		Complete set	Inner ring	SKF	FAG	NSK	NTN	KOYO
100	135	80	110	1.5	198	496	3500	4100	FC202780	3.20	1.03					
	140	70	111	1.5	220	480	3400	4000	FC202870	3.20	1.00					
	140	80	111	1.5	220	480	3400	4000	FC202880	3.50	1.40					
	145	70	113	1.5	230	470	3400	4000	FC202970	3.61	1.18					
	150	106	113	1.5	353	792	3400	4000	FC2030106	6.43	1.78					
110	170	90	127	2.0	390	760	2800	3600	FC223490	7.30	2.21					22FC1790
	170	120	127	2.0	520	1160	2800	3600	FC2234120	9.90	3.00		110RV1701			
	180	92	137	2.0	380	800	2600	3400	FC243692	7.79	2.50				4R2437	
	180	105	135	2.0	430	920	2600	3400	FC2436105	9.00	2.50				4R2438	4CR120
130	200	104	150	2.0	480	1020	2400	3000	FC2640104	11.50	3.52				4R2628	26FC20104
	200	125	149	2.0	630	1370	2400	3000	FC2640125	14.20	4.04			130RV2001		26FC20125
140	190	119	154	2.0	470	1280	2400	3000	FC2838119	9.50	2.95				4R2832	28FC19119W
	210	80	156	2.0	500	970	2200	2800	FC284280	9.40	2.29					
	210	106	158	2.0	540	1150	2200	2800	FC2842106	12.60	3.50					
	210	125	158	2.0	640	1440	2200	2800	FC2842125	14.90	4.10					
	210	155	158	2.0	790	1860	2200	2800	FC2842155	18.70	5.10					
145	210	155	166	2.0	620	1740	2200	2800	FC2942155	18.40	6.15	314625	511605	145RV2101	4R2906	29FC21155
	225	156	169	2.0	760	1750	2000	2600	FC2945156	22.20	7.20	313924A	538522	145RV2201	4R2904	313924
150	200	120	162	2.0	672	1400	2200	2800	FC3040120	10.10	2.40					30FC20120
	210	120	166	2.0	600	1530	2200	2800	FC3042120	12.70	3.70					
	210	120	166	2.0	600	1530	2200	2800	FCD3042120	12.70	1.85					
	210	120	168.5	2.0	686	1380	2200	2800	FCD3042120	12.80	1.80					30FC21120
	210	150	165	2.0	872	1780	2200	2800	FC3042150	15.90	3.80					30FC21150
	220	120	167	2.0	569	1249	2000	2600	FC3044120	14.50	3.98					
	220	127	168	2.5	615	1280	2000	2600	FC3044127	15.70	3.90				4R3036	
	220	150	170	2.0	887	1760	2000	2600	FC3044150	19.20	5.10					30FC22150
	220	150	168	2.5	750	1640	2000	2600	FC3044150A	19.40	4.60			150RV2201	4R3031/4R3056	30FC22150A
	225	112	170	2.0	550	1210	2000	2600	FCD3045112	15.30	2.16					
	225	120	169	2.0	640	1370	2000	2600	FC3045120	16.10	4.50					
	225	120	169	2.0	640	1370	2000	2600	FCD3045120	16.10	2.20					
	225	150	169	2.0	810	1830	2000	2600	FC3045150	20.40	5.60					
	225	150	168.5	1.5	970	1810	2000	2600	FC3045150A	20.80	5.60			150RV2203		
	225	136	168.776	2.1	820	1460	2000	2600	FC3045136	18.60	5.20			150RV2204		
230	130	174	2.5	725	1520	2000	2600	FC3046130	20.00	5.30			150RV2301	4R3029		
230	156	174	2.0	850	2050	2000	2600	FC3046156	23.50	7.50	313891A	506962	150RV2302	4R3040	313891-1	
230	168	178	2.0	845	1950	2000	2600	FC3046168	25.80	8.00				4R3042		

Four-row Cylindrical Roller Bearings

Boundary dimensions (mm)					Basic load ratings (kN)		Speed rating (rpm)		Designations	Weight (kg)		Equivalent to foreign designations (For your information)				
d	D	B	Fw	r _{min}	Cr	Cor	Grease	Oil		Complete set	Inner ring	SKF	FAG	NSK	NTN	KOYO
150	250	120	178	2.0	740	1570	2000	2600	FC3050120	24.30	6.70					
	250	150	177	2.5	885	1640	2000	2600	FC3050150	29.60	6.90				4R3039	
160	220	180	177	2.5	920	2490	2000	2600	FC3244180	20.20	6.40				4R3224	32FC22180
	230	130	180	2.1	690	1630	2000	2600	FC3246130	16.80	5.40	314190	502894		4R3226	314190
	230	130	178	2.0	780	1340	2000	2600	FC3246130A	16.40	4.90			160RV2301		
	230	168	179	2.1	890	2270	2000	2600	FC3246168	22.10	6.55	315189A	510150B		4R3232	32FC23170B
	230	168	180	2.5	895	2200	2000	2600	FC3246168A	23.20	6.90			160RV2302	4R3229	32FC23170A
	230	168	182	2.5	895	2210	2000	2600	FC3246168A1	23.20	7.60				4R3231	32FC23170
	230	180	177	2.5	920	2490	2000	2600	FC3246180	24.80	6.40				4R3228	32FC23180A
	230	180	178	2.0	1080	2280	2000	2600	FC3246180A	24.20	6.60			160RV2303		
	240	120	183	2.1	745	1320	1900	2400	FC3248120	18.80	5.80			160RV2401		32FC24120W
	240	124	183	2.1	670	1500	1900	2400	FC3248124	19.00	6.00					
	240	145	180.016	2.1	920	1600	1900	2400	FC3248145	22.30	6.00			160RV2403		
	240	168	183	2.1	950	2330	1900	2400	FC3248168	26.10	8.10					
	240	168	183	2.1	950	2330	1900	2400	FCD3248168	26.10	4.00					
	240	170	183	2.0	980	2290	1900	2400	FC3248170	27.80	8.20			160RV2402	4R3225	32FC24170
170	230	120	187	2.5	620	1520	1900	2400	FC3446120	14.20	4.50			170RV2301	4R3426/4R3443	34FC23120
	230	130	188.5	2.1	610	1680	1900	2400	FC3446130	15.20	5.20	313673	508370			
	230	160	185.5	2.1	1200	2200	1900	2400	FCD3446160	18.90	2.70		567622			
	230	180	186	2.1	920	2690	1900	2400	FC3446180	21.10	6.30					
	240	130	190	2.1	680	1720	1800	2300	FC3448130	18.30	5.70	BC4B635122	510440B			
	240	156	189	2.5	905	2170	1900	2400	FC3448156	22.20	6.50				4R3429	34FC24156B
	240	156	190	2.0	972	2050	1900	2400	FC3448156A	22.40	6.80					34FC24156A
	240	160	190	2.5	905	2180	1900	2400	FC3448160	22.80	7.00			170RV2402	4R3423	
	240	190	187	1.5	1260	2620	1900	2400	FC3448190	26.90	7.10					34FC24190
	250	168	192	2.1	1210	2320	1800	2200	FC3450168	27.40	8.16			170RV2501		34FC25168
	250	168	193	2.5	970	2200	1800	2200	FC3450168A	28.20	8.50				4R3432/4R3428	
	250	170	192	2.1	970	2430	1800	2200	FC3450170	27.90	8.26			170RV2502		34FC25170
	255	180	193	2.5	1100	2430	1800	2200	FC3451180	19.30	9.10			170RV2503	4R3425	
	260	120	195	2.1	780	1720	1800	2200	FC3452120	22.80	6.70					
260	150	195	2.1	870	1980	1800	2200	FC3452150	28.20	8.30			170RV2602		34FC26150	
260	150	192	2.5	835	1750	1800	2200	FC3452150A	29.50	7.30				4R3433		
260	170	195	2.1	956	2226	1800	2200	FC3452170	31.60	9.50						
260	225	196	2.1	1400	3640	1800	2200	FC3452225	43.20	13.00	313587B	505470		4R3431		
180	250	100	200	2.1	510	1240	1800	2200	FCD3650100	14.70	2.23					
	250	120	200	2.1	610	1580	1800	2200	FC3650120	17.70	5.60					

Four-row Cylindrical Roller Bearings

Boundary dimensions (mm)					Basic load ratings (kN)		Speed rating (rpm)		Designations	Weight (kg)		Equivalent to foreign designations (For your information)				
d	D	B	Fw	r _{min}	Cr	Cor	Grease	Oil		Complete set	Inner ring	SKF	FAG	NSK	NTN	KOYO
180	250	156	200	2.1	860	2310	1800	2200	FC3650156	22.80	7.18			180RV2501	4R3625	36FC25156A
	250	168	202	2.0	885	2470	1800	2200	FC3650168	25.60	8.70			180RV2601	4R3639	313812W/36FC26168
	260	120	202	2.1	710	1630	1800	2200	FC3652120	20.20	6.20					
	260	124	202	2.1	710	1630	1800	2200	FC3652124	21.00	6.40					
	260	168	202	2.1	990	2530	1800	2200	FC3652168	29.20	8.60	313812	507536	180RV2601	4R3628	313812W
	260	168	202	2.1	990	2530	1800	2200	FCD3652168	29.20	4.26					
	265	180	204	2.5	1090	2510	1800	2200	FC3653180	34.20	10.10			180RV2602	4R3618	
	265	180	203	2.1	1230	2420	1800	2200	FC3653180A	33.40	9.70			180RV2603		36FC27180
	280	180	206	2.1	1170	2690	1700	2000	FC3656180	41.00	11.00		524372			
	280	180	205.085	2.1	1410	2490	1700	2000	FC3645180A	40.90	10.50			180RV2802		
190	260	124	212	2.1	650	1730	1700	2000	FC3852124	19.10	6.61					
	260	124	208	2.1	700	1830	1700	2000	FC3852124A	20.60	5.43					
	260	168	212	2.1	910	2680	1700	2000	FC3852168	27.20	9.10	313651	507735	190RV2601	4R3820	38FC26168-1
	260	168	208	2.1	970	2610	1700	2000	FC3852168A	25.70	7.50					
	265	124	213	2.1	660	1720	1700	2000	FC3853124	20.80	7.10					
	270	168	212	2.1	1040	2720	1700	2000	FC3854168	30.00	9.10					
	270	170	212	2.0	1290	2610	1700	2000	FC3854170	30.50	9.10			190RV2703		38FC27170
	270	170	213	2.5	1090	2660	1700	2000	FC3854170A	31.70	9.70			190RV2702	4R3818	38FC27170A
	270	200	212	2.1	1210	3300	1700	2000	FC3854200	36.80	10.90	314199B	508657	190RV2701	4R3821/4R3817	314199
	280	200	214	2.1	1240	3200	1700	2000	FC3856200	42.10	11.70	314049A	510199	190RV2801	4R3823/4R3830	38FC28200
280	200	222	2.1	1240	3200	1700	2000	FC3856200A	42.10	16.20	313583					
290	190	215	2.1	1550	2860	1700	2000	FC3858190	44.90	11.60					38FC29190	
200	250	200	215	1.0	900	2500	1700	2000	FC4050200	22.30	7.50			200RV2521		
	270	170	222	2.1	810	2460	1600	1900	FC4054170	28.30	9.60	314553	522742B		4R4039	314553
	280	152	222	2.1	1000	2320	1600	1900	FC4056152	29.50	8.60				4R4054	40FC28152BW
	280	170	222	2.1	1030	2730	1600	1900	FC4056170	32.70	9.60	314385	507344		4R4048	40FC28170
	280	170	223	2.0	1500	2600	1600	1900	FC4056170A	33.70	10.10		549864	200RV2804		
	280	188	222	2.1	1140	3120	1600	1900	FC4056188	35.30	10.70					40FC28188
	280	190	223	2.5	1190	3150	1600	1900	FC4056190	36.70	11.30		200RV2803		4R4026	40FC28190A
	280	200	222	2.1	1230	3420	1600	1900	FC4056200	37.50	11.30	313893	508726	200RV2802	4R4037	313893-1
	280	200	224	2.1	1210	3610	1600	1900	FC4056200A	39.20	12.40			200RV2801	4R4027	40FC28200
	290	130	226	2.1	860	2030	1600	1900	FC4058130	27.90	8.90					
	290	192	226	2.1	1240	3250	1600	1900	FC4058192	42.50	12.90	313811	512580B	200RV2901	4R4041	313811
	290	192	226	2.1	1240	3250	1600	1900	FCD4058192	42.50	6.40					
	310	160	232	2.1	1260	2240	1400	1700	FC4062160	44.60	13.80					40FC31160
310	206	227	2.1	1790	3240	1400	1700	FC4062206	56.60	14.70					40FC31206	

Four-row Cylindrical Roller Bearings

Boundary dimensions (mm)					Basic load ratings (kN)		Speed rating (rpm)		Designations	Weight (kg)		Equivalent to foreign designations (For your information)								
d	D	B	Fw	r _{min}	Cr	Cor	Grease	Oil		Complete set	Inner ring	SKF	FAG	NSK	NTN	KOYO				
200	310	230	229	2.1	2360	4000	1400	1700	FCD4062230	65.40	8.90		503901.N12BA 514958	200RV3102						
	310	265	227	2.0	2700	4250	1400	1700	FCD4062265	70.20	9.50									
	320	216	231	3.0	2120	3900	1400	1700	FC4064216	69.90	17.50					200RV3231				
210	290	192	234	2.1	1090	3210	1500	1800	FC4258192	38.40	12.40	313646	507628	210RV2901	4R4206	42FC29192				
	290	192	236	2.1	1700	3400	1500	1800	FC4258192A	38.70	13.40									
	300	170	234	2.1	1160	2950	1500	1800	FC4260170	38.40	11.00									
	300	210	234	2.1	1400	3800	1500	1800	FC4260210	48.20	13.60									
	300	210	234	2.1	1400	3800	1500	1800	FCD4260210	48.00	6.71									
220	290	192	239	2.5	1190	3350	1400	1700	FC4458192	33.80	10.20				4R4413	44FC30150W				
	300	150	240	2.1	1210	2500	1400	1700	FC4460150	30.70	8.40									
	300	160	245	2.5	1000	2590	1400	1700	FC4460160	32.80	11.30				4R4419/4R4445					
	300	192	242	2.1	1240	3560	1400	1700	FC4460192	39.30	11.90									
	300	200	240	2.1	1830	3350	1400	1700	FCD4460200	40.90	5.60		567623							
	310	192	246	2.1	1290	3790	1400	1700	FC4462192	45.50	14.20	313839		507333		4R4426	313837A			
	310	192	247	2.5	1350	3550	1400	1700	FC4462192A	46.30	15.00					220RV3101	4R4410	313837-1		
	310	192	245	3.0	1450	2980	1400	1700	FC4462192A1	43.90	14.10					44FC31192W				
	310	204	247	2.5	1420	3750	1400	1700	FC4462204	49.80	15.90				4R4425					
	310	215	242	2.5	1530	3750	1400	1700	FC4462215	51.50	13.30				4R4420					
	310	225	245	2.1	1470	4160	1400	1700	FC4462225	54.20	15.90		506869	220RV3102	4R4416					
	310	225	246	2.1	1350	3980	1400	1700	FC4462225A	57.70	15.50									
	310	225	244	1.0	2200	4150	1400	1700	FC4462225A1	54.20	15.30	313894B	514461		4R4449	44FC31225A				
	320	160	245	3.0	1190	2550	1400	1700	FC4464160	46.50	11.30					4R4428				
	320	210	248	2.1	1480	3780	1400	1700	FC4464210	55.10	16.80		509216	220RV3201 220RV3203	4R4429 4R4444	44FC32210-1 44FC32210				
	320	210	246	2.5	1560	3600	1400	1700	FC4464210A	57.30	15.50									
330	230	249	2.1	1720	4340	1300	1600	FC4466230	67.40	19.00	314889	541452								
340	180	256	3.0	1500	2750	1300	1600	FC4468180	59.00	18.60						44FC34180A				
340	290	250	3.0	3250	5400	1300	1600	FCD4468290	94.50	12.40		525147								
230	330	170	260	2.1	1210	3210	1300	1600	FC4666170	47.40	15.20	313824	508727B	230RV3301	4R4610	313824A				
	330	206	260	2.1	1490	3930	1300	1600	FC4666206	56.40	18.40									
	330	206	258	2.5	1520	3900	1300	1600	FC4666206A	58.60	17.20									
	340	260	261	2.1	1920	5340	1300	1600	FC4668260	81.10	24.10							230RV3401	4R4611	46FC34260
	340	260	261	2.1	1920	5340	1300	1600	FCD4668260	81.10	12.00									
365	250	266	2.1	2110	5230	1300	1600	FC4673250	100.00	27.20	313581A	529113	230RV3601							
240	330	180	265	2.1	2040	3900	1300	1600	FC4866180	46.90	13.60		504547							
	330	220	264	2.1	1460	4220	1300	1600	FC4866220	56.80	16.10				4R4819	48FC33220				
	330	220	264	2.1	1460	4220	1300	1600	FCD4866220	56.80	8.05									

Four-row Cylindrical Roller Bearings

Boundary dimensions (mm)					Basic load ratings (kN)		Speed rating (rpm)		Designations	Weight (kg)		Equivalent to foreign designations (For your information)						
d	D	B	Fw	r _{min}	Cr	Cor	Grease	Oil		Complete set	Inner ring	SKF	FAG	NSK	NTN	KOYO		
240	330	220	268	3.0	1490	4150	1300	1600	FC4866220A	57.10	19.00	313921	508368	240RV3301	4R4821	48FC33220BW		
	330	220	270	2.0	2080	4250	1300	1600	FC4866220A1	56.90	20.80				4R4811/4R4804	312943/1YD		
	330	250	263	2.1	2160	4910	1300	1600	FC4866250	63.70	17.50					48FC33250W		
	340	192	266	2.1	1340	3480	1300	1600	FC4868192	55.00	15.40							
	340	200	266	3.0	2500	4500	1300	1600	FC4868200	60.50	16.00				512972		48FC34200	
	340	220	268	3.0	2400	4250	1200	1500	FC4868220	61.80	19.00				513703	240RV3403	4R4806	48FC34220
	350	220	270	2.1	1630	4260	1300	1600	FCD4870220	70.70	10.20							
	360	220	272	2.1	1830	4600	1200	1500	FC4872220	78.40	22.00					240RV3601		
	360	220	274	2.5	1760	4050	1200	1500	FC4872220A	79.60	23.50						4R4807/4R4813	
	360	290	270	2.5X30°	3350	5700	1200	1500	FCD4872290	99.30	13.40					514959		
250	340	170	274	3.0	1220	3390	1200	1500	FC5068170	44.30	13.20							
	340	220	274	3.0	1550	4610	1200	1500	FCD5068220	58.10	8.38							
	340	230	276	2.1	2120	4050	1200	1500	FC5068230	59.70	19.50	522310						
	350	220	278	3.0	1690	4730	1200	1500	FC5070220	66.20	19.80		250RV3501	4R5008	50FC35220			
	350	220	278	3.0	1690	4730	1200	1500	FCD5070220	66.20	9.81							
	360	220	282	3.0	1720	4750	1100	1400	FC5072220	74.90	22.90							
260	355	260	286	2.1	2090	5000	1100	1400	FCD5271260	74.50	11.10			260RV3521		52FC35260		
	360	192	288	3.0	1400	4120	1100	1400	FC5272192	60.10	17.80							
	360	192	287	2.1	1750	3740	1100	1400	FC5272192A	59.80	17.20					52FC36192W		
	360	200	287	2.1	1880	4110	1100	1400	FC5272200	62.00	18.00					52FC36200		
	360	220	292	2.5	1540	4150	1100	1400	FC5272220	62.70	23.70				4R5521			
	360	200	288	3.0	1490	4310	1100	1400	FC5272200	62.00	18.70							
	360	230	292.2	4.0	2500	5000	1100	1400	FC5272230	71.50	25.40		533880					
	360	230	292.5	2.1	2140	4900	1100	1400	FC5272230A	69.70	25.80					52FC36230CW		
	360	230	292	2.1	2020	4790	1100	1400	FC5272230A1	72.60	25.00					52FC36230D		
	360	260	287	2.5	1830	4850	1100	1400	FC5272260	81.50	23.40				4R5231			
	360	260	287	2.1	2300	5320	1100	1400	FCD5272260	80.00	11.60					52FC36260		
	370	200	292	3.0	1610	4400	1100	1400	FC5274200	70.00	21.40							
	370	220	292	3.0	1760	4920	1100	1400	FC5274220	76.60	2.70	313823	507336	260RV3701	4R5217/4R5208	313823		
	370	220	290	3.0	2180	4480	1100	1400	FC8274220A	75.00	22.20					313823A		
	370	230	292	3.0	1760	4920	1100	1400	FC5274230	78.60	24.80							
	370	260	290	2.1	2640	5740	1100	1400	FC5274260	88.50	26.20					52FC37260		
380	220	292	3.0	1860	4810	1100	1400	FC5276220	83.20	23.70								
380	280	294	3.0	2420	6250	1100	1400	FC5276280	109.00	32.50			260RV3801	4R5213				
380	280	294	3.0	2380	6940	1100	1400	FCD5276280	110.00	16.10								
400	290	296	4.0	3250	6350	1100	1400	FC5280290	133.00	35.50			260RV4001					

Four-row Cylindrical Roller Bearings

Boundary dimensions (mm)					Basic load ratings (kN)		Speed rating (rpm)		Designations	Weight (kg)		Equivalent to foreign designations (For your information)							
d	D	B	Fw	r _{min}	Cr	Cor	Grease	Oil		Complete set	Inner ring	SKF	FAG	NSK	NTN	KOYO			
260	400	290	296	3.0	2770	7090	1100	1400	FCD5280290	134.00	17.60	313427	518214		4R5218				
	400	335	294	4.0	4300	7200	1100	1400	FCD5280335	151.00	19.30		521065						
270	380	230	298	3.0	1890	5360	1000	1300	FC5476230	82.70	22.60			270RV3801	4R5407	54FC38230			
	380	280	297	2.5	2260	5750	1000	1300	FC5476280	101.00	26.50			4R5405					
	380	280	299.7	2.5	2580	6850	1000	1300	FCD5476280	105.00	29.10								
	380	275	298	3.0	2230	6380	1000	1300	FC5476275	97.30	26.60								
	390	220	306	3.0	1840	5040	1000	1300	FC5478220	86.30	27.80								
	390	240	298	3.0	2110	5450	1000	1300	FC5478240	91.30	23.20				54FC39220				
280	350	208	298	2.5	1290	3950	1000	1300	FC5670208	46.40	13.10				4R5614				
	375	200	307	3.0	1469	4328	1000	1300	FC5675200	65.10	19.40								
	380	170	306	2.1	1710	3590	1000	1300	FC5676170	55.00	15.90					56FC38170W			
	380	192	310	3.0	1420	4180	1000	1300	FC5676192	63.20	20.50					56FC38192			
	380	290	308	3.0	2046	6440	1000	1300	FCD5676290	100.00	14.50				313822	507339B	280RV3901	4R5611/4R5604	313822/313822D
	390	220	312	3.0	1820	5270	1000	1300	FC5678220	80.90	25.50								
	390	220	312	3.0	1820	5270	1000	1300	FCD5678220	80.60	12.60								
	390	220	308	3.0	2180	4670	1000	1300	FC5678220A	79.70	21.60						313822A		
	390	220	306	3.0	2520	5350	1000	1300	FC5678220A1	79.70	20.00						313822C		
	390	240	312	3.0	2460	5620	1000	1300	FC5678240	88.10	27.60						56FC39240		
	390	275	312	3.0	2260	6940	1000	1300	FC5678275	101.00	31.70				314719C	513729A	280RV3902	4R5612	
	390	275	308	3.0	2270	6610	1000	1300	FCD5678275	100.00	13.50					527104			56FC39275J
	390	275	308	3.0	2860	6450	1000	1300	FC5678275A	100.00	27.10						280RV3903		
	390	275	309	2.1	2680	6110	1000	1300	FC5678275A1	100.00	28.10							56FC39275B	
	400	285	316	4.0	3400	6400	1000	1300	FCD5680285	113.60	18.20					513342. N12BA	280RV4021		
	410	300	313	4.0	3900	6950	1000	1300	FCD5682300	132.60	17.90					510350. C4. N12BA			
420	280	318	4.0	2590	7190	1000	1300	FCD5684280	140.00	19.10									
420	280	323	4.0	2430	6150	1000	1300	FC5684280A	139.00	43.90				4R5605					
290	390	234	320	3.0	2270	5600	1000	1300	FC5878234	79.70	26.20			290RV3901		58FC39234			
	400	180	320	4.0	1472	4036	1000	1300	FC5880180	68.50	20.10						58FC40180W		
	410	240	320	4.0	2080	5970	950	1200	FC5882240	105.00	26.90				290RV4101	4R5806	58FC41240		
	410	240	320	4.0	2080	5970	950	1200	FCD5882240	101.00	13.30								
	420	300	327	3.0	2830	7500	950	1200	FC5884300	141.00	41.60				290RV4201	4R5805	58FC42300		
	440	310	328	4.0	4300	7200	950	1200	FC5888310	164.00	44.10				517796				
300	400	300	328	3.0	2480	7500	900	1100	FC6080300	104.00	32.10			300RV4021	4R6014	60FC40300A			
	420	218	332	4.0	1783	4959	900	1100	FC6084218	94.50	27.00					60FC42218			
	420	240	332	4.0	2160	6370	900	1100	FC6084240	106.00	29.60				300RV4201	4R6027	60FC42240		
	420	240	334	3.0	2020	5450	900	1100	FC6084240A	105.00	31.80					4R6012/4R6017			

Four-row Cylindrical Roller Bearings

Boundary dimensions (mm)					Basic load ratings (kN)		Speed rating (rpm)		Designations	Weight (kg)		Equivalent to foreign designations (For your information)				
d	D	B	Fw	r _{min}	Cr	Cor	Grease	Oil		Complete set	Inner ring	SKF	FAG	NSK	NTN	KOYO
300	420	240	336	3.0	2010	5450	900	1100	FC6084240A1	105.00	33.90				4R6023	
	420	240	332	4.0	2160	6370	900	1100	FCD6084240	106.00	14.80					
	420	300	334	3.0	2720	7600	900	1100	FC6084300A	125.00	39.80				4R6015	
	420	300	332	4.0	2690	8020	900	1100	FCD6084300	132.00	18.30	314484D	524289B	300RV4221	4R6020	60FC42300W
	420	300	331	3.0	2990	8150	900	1100	FCD6084300A	136.00	17.70				4R6030	60FC42300DW
	420	320	332	3.0	2900	7850	900	1100	FCD6084320	136.00	19.50				4R6018	
	430	240	338	3.0	2160	5150	900	1100	FC6086240	115.00	35.30				4R6021	
	460	270	344	3.0	2510	5350	850	1000	FC6092270	162.00	46.30				4R6019	
	460	350	341	4.0	5500	9650	850	1000	FCD6092350	233.00	27.90		517795			
310	420	300	338	3.0	3300	8050	850	1000	FC6284300	119.00	33.60			310RV4201		62FC42300
	430	240	344.5	3.0	2240	5950	850	1000	FC6286240	108.00	33.20			310RV4301	4R6202	62FC43240
	440	240	345	3.0	3250	5700	850	1000	FC6288240	115.00	33.90		574469			
	440	240	341	3.0	2820	5730	850	1000	FC6288240A	113.00	29.90					62FC44240
320	440	230	351	3.0	2530	5490	850	1000	FC6488230	103.00	28.90					64FC44230/240
	440	240	351	4.0	2140	6100	850	1000	FC6488240	109.00	30.20				4R6414	
	440	240	351	4.0	2140	6100	850	1000	FCD6488240	109.00	15.00					
	440	300	352	4.0	2720	8280	850	1000	FCD6488300	135.00	19.50					
	450	240	355	4.0	2260	6280	850	1000	FC6490240	118.00	34.70			320RV4502		64FC45240
	450	240	355	4.0	2260	6280	850	1000	FCD6490240	118.00	16.90					
	450	240	358	3.0	2370	6150	850	1000	FC6490240A	125.00	37.50			320RV4501	4R6411	4CR320/64FC45240CW
	460	240	364	3.0	3750	7200	850	1000	FC6492240	138.00	44.20		804571			
	460	300	357	4.0	2940	8430	850	1000	FCD6492300	164.00	22.80					
	460	340	360	4.0	3400	9450	850	1000	FC6492340	178.00	56.40				4R6412	64FC46340A
	460	340	360	4.0	3350	10020	850	1000	FCD6492340	186.00	28.10					
	470	350	361.7	3.0	4150	10900	800	1000	FCD6494350	212.00	30.00				4R6406	
	480	290	364	4.0	3260	8680	800	1000	FCD6496290	185.00	26.70					
480	290	361	4.0	4080	8450	800	1000	FCD6496290A	189.00	24.30					64FC48290	
480	350	364	4.0	3210	9140	800	1000	FCD6496350	228.00	31.70	314274B	541851	320RV4811		341274A	
330	430	230	358	3.0	2340	5850	800	1000	FC6686230	86.30	27.30			330RV4301		
	440	200	360	3.0	1820	4850	800	1000	FC6688200	83.60	25.50			330RV4401	4R6603/4R6608	66FC44200W
	440	200	358	3.0	2340	5220	800	1000	FC6688200A	83.40	23.80					66FC44200AW
	460	340	365	4.0	3250	8850	800	1000	FC6692340	181.00	51.00			330RV4601	4R6605	
	460	340	365	4.0	3190	9820	800	1000	FCD6692340	174.00	25.00	313445C	543447			
	460	340	368	4.0	3300	9550	800	1000	FC6692340A	177.00	55.60				4R6602	66FC46340B
	460	340	364	2.1	3860	9150	800	1000	FC6692340A1	172.00	49.50					66FC46340
	460	380	364	2.1	4380	10800	800	1000	FC6692380	195.00	55.30					66FC46380W

Four-row Cylindrical Roller Bearings

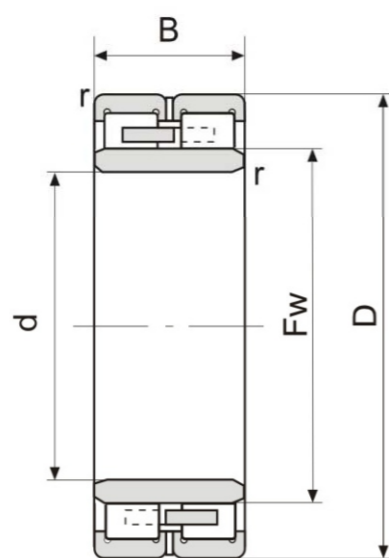
Boundary dimensions (mm)					Basic load ratings (kN)		Speed rating (rpm)		Designations	Weight (kg)		Equivalent to foreign designations (For your information)				
d	D	B	Fw	r _{min}	Cr	Cor	Grease	Oil		Complete set	Inner ring	SKF	FAG	NSK	NTN	KOYO
340	445	250	367	2.1	2510	6110	800	1000	FC6889250	100.00	29.10					68FC45250W
	450	250	364	4.0	2270	6630	800	1000	FC6890250	103.00	25.50					
	450	250	369	4.0	2130	6460	800	1000	FCD6890250A	106.00	15.40					
	450	250	371	4.0	2120	6790	800	1000	FC6890250A1	108.00	33.40			340RV4501		
	450	250	371	4.0	2120	6790	800	1000	FCD6890250A1	107.00	16.70					
	450	250	366	4.0	2260	6640	800	1000	FC6890250A2	105.00	28.00					
	450	250	368	3.0	2720	6750	800	1000	FC6890250A3	108.00	30.20			340RV4502		68FC45250BW
	460	260	370	4.0	2340	6960	800	1000	FCD6892260	122.00	16.70					
	480	280	374	4.0	2840	7870	750	950	FCD6896280	159.00	20.60			340RV4801		
	480	350	378	4.0	3410	10410	750	950	FCD6896350	201.00	28.90	314485C	527634	340RV4812E	4R6819	68FC48350-2
	480	350	376	4.0	4840	11400	750	950	FCD6896350A	201.00	27.40					68FC48350L
	480	370	378	5.0	3450	9650	750	950	FC6896370	198.00	61.40				4R6811	
	480	385	378	2.1	4780	11500	750	950	FCD6896385	209.00	31.80					68FC48350N
	490	300	377	4.0	3350	8300	750	950	FC6898300	187.00	48.60				4R6804	
	490	300	380	5.0	3100	7950	750	950	FC6898300A	189.00	52.50				4R6805	68FC49300
	490	300	379	5.0	3680	7850	750	950	FC6898300A1	182.00	51.20					68FC49300A
	500	370	385	6.0	6550	13200	700	900	FCD68100370	253.00	36.70		517794			
	560	380	396	4.0	7650	12200	650	830	FCD68112380	379.00	47.20		545171			
350	500	380	389	4.0	4030	12040	700	900	FCD70100380	243.00	33.40	314563	532381.N12BA			
	500	410	388	5.0	7100	14300	700	900	FCD70100410	268.00	35.30		532001			
	500	460	388	2.0	6570	16500	700	900	FCD70100460	296.00	39.60					70FC50460
	520	300	401	4.0	3300	9070	700	900	FCD70104300	223.00	34.80	BC2B319878	568450			
360	480	290	388	3.0	2990	8150	700	900	FC7296290	148.00	37.00				4R7207	
	480	290	394	3.0	3250	8300	700	900	FC7296290A	146.00	45.30			360RV4801		
	480	290	392	3.0	3470	8510	700	900	FC7296290A1	145.00	42.40					72FC48290
	500	250	394	4.0	2480	6730	700	900	FCD72100250	146.00	19.30	BC2B320075				72FC50250
	510	370	400	4.0	3550	9700	700	900	FC72102370	244.00	68.70			360RV5101	4R7212	72FC51370
	510	370	397	4.0	3930	11720	700	900	FCD72102370A	240.00	31.30					
	510	380	399	4.0	4020	12070	700	900	FCD72102380	247.00	34.00	316890B				
	510	400	397	5.0	4250	11500	700	900	FC72102400	262.00	68.40				4R7203	
	510	400	399	4.0	4350	11900	700	900	FCD72102400	251.00	35.80				4R7205	
	520	380	405	4.0	4120	12520	700	900	FCD72104380	271.00	39.30	314486A	562913			72FC52380
370	480	230	400	5.0	2100	6250	700	900	FC7496230	106.00	32.20				4R7405	
	480	250	401	3.0	2200	6450	700	900	FC7496250	118.00	36.20			370RV4801	4R7408	
	520	380	409	5.0	3900	10800	700	900	FC74104380	256.00	71.20			370RV5211	4R7411	
	520	380	409	10X20°	6100	11800	700	900	FCD74104380	248.00	35.30		543975			74FC52380

Four-row Cylindrical Roller Bearings

Boundary dimensions (mm)					Basic load ratings (kN)		Speed rating (rpm)		Designations	Weight (kg)		Equivalent to foreign designations (For your information)				
d	D	B	Fw	r _{min}	Cr	Cor	Grease	Oil		C _{complete set}	Inner ring	SKF	FAG	NSK	NTN	KOYO
370	520	400	409	5	4650	13500	700	900	FC74104400	273.00	74.90				4R7404	
	520	400	413	5	4740	11900	700	900	FCD74104400	268.00	43.20					74FC52400W
	540	400	415	4	5250	12000	670	860	FC74108400	311.00	86.40			370RV5401		74FC54400A
380	500	290	414	3	3350	8800	670	860	FC76100290	153.00	47.60			380RV5001		
	520	280	417	4	3400	9150	670	860	FC76104280	174.00	50.20			380RV5202	4R7605	76FC52280
	520	290	418	4	4500	9000	670	860	FC76104290	182.00	53.50		576360	380RV5201		76FC52290
	520	290	417	4	3400	9150	670	860	FC76104290A	185.00	52.00				4R7617	
	520	300	416	4	3550	9600	670	860	FC76104300	210.00	52.30				4R7607	
	540	300	421	3	5100	9150	670	860	FCD76108300	217.00	29.80		541982			76FC54300
	540	340	424	5	4700	10900	670	860	FC76108340	259.00	73.40			380RV5431		
	540	340	422	4	4600	10300	670	860	FCD76108340	256.00	35.00					76FC54340W
	540	360	422	4	5480	12900	670	860	FCD76108360	266.00	37.10					76FC54360
	540	400	422	4	5200	15200	670	860	FC76108400	325.00	83.00				4R7604	
	540	400	422	5	6700	13400	670	860	FCD76108400	297.00	41.20		544794	380RV5411	4R7618	76FC54380
	540	400	424	5	4550	12700	670	860	FC76108400	298.00	86.40			380RV5401	4R7613	
390	510	290	424	3	3400	9000	670	860	FC78102290	156.00	48.80			390RV5101		
	540	320	431	10x20°	5500	11000	650	830	FCD78108320	225.00	32.80		578278			
	550	400	434	5	5150	12400	650	830	FCD78110400	303.00	44.00			390RV5521		78FC55400AW
400	520	250	432	4	3000	7700	650	830	FC80104250	136.00	40.20			400RV5202		80FC52250W
	550	300	441	4	4150	9750	650	830	FC80110300	212.00	63.20			400RV5501		
	560	360	441	5	5570	13400	620	780	FCD80112360	277.00	37.60					80FC56360
	560	400	446	5	4250	11800	620	780	FC80112400	303.00	94.50				4R8007	
	560	400	446	5	5650	13600	620	780	FCD80112400	308.00	47.00			400RV5621/400RV5612		
	560	410	445	12x20°	7800	16600	620	780	FCD80112410	321.00	47.40		513769A	400RV5611/400RV5613	4R8010	80FC56410
	590	420	450	4	5150	13000	620	780	FC80118420	399.00	107.50				4R8011	
	590	440	450	4	8300	16000	620	780	FCD80118440	408.00	56.70		542395			
	600	380	450	5	6610	14300	620	780	FCD80120380	388.00	49.00					80FC60380
410	560	400	450	4	6550	13400	620	780	FCD82112400	285.00	41.50		543736			
	600	440	460	5	8070	18800	620	780	FCD82120440	432.00	58.10		517436	410RV6011		82FC60440
420	560	280	457	4	3150	8750	620	780	FC84112280	189.00	55.20			420RV5601	4R8403	84FC56280
	560	400	458	4	4870	12700	620	780	FCD84112400	270.00	40.10			420RV5602		84FC56400
	580	230	466	4	2430	6250	620	780	FC84116230	181.00	56.20				4R8404	
	580	320	463	4	4760	11000	620	780	FCD84116320	249.00	36.90		533053.N12BA			86FC58320
	600	440	469.6	6	6350	18100	600	750	FCD84120440	423.00	59.20				4R8407	
	600	440	470	5	7240	17700	600	750	FCD84120440A	420.00	59.80		565467	420RV6011		4CR420A



Double-row Cylindrical Roller Bearings



NNU0000

Double-row Cylindrical Roller Bearings

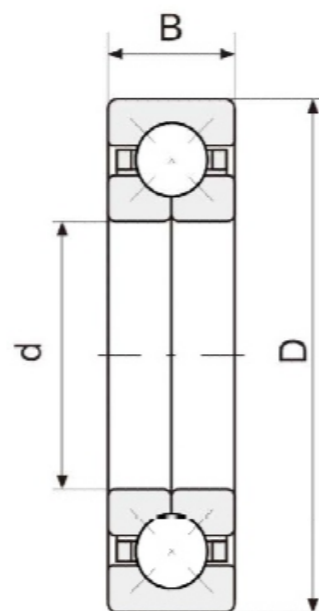
Boundary dimensions (mm)					Basic load ratings (kN)		Speed rating (rpm)		Designations	Weight (kg)	Equivalent to foreign designations (FYI)	
d	D	B	Fw	r _{min}	Cr	Cor	Grease	Oil			SKF	FAG
100	140	40	113	1.1	130	280	3400	4200	NNU4920	2.10	NNU4920	NNU4920
110	150	40	123	1.1	140	290	3100	3850	NNU4922	2.20	NNU4922	NNU4922
120	165	45	134.5	1.1	180	340	2800	3500	NNU4924	2.80	NNU4924	NNU4924
	180	52	135	2.0	240	450	2500	3200	NNU3024X1	4.87		
	190	80	141	2.0	370	710	2500	3100	NNU4124X2	9.00		
	215	86	139	2.1	570	850	2200	2750	NNU4224X1	13.60		
130	180	50	146	1.5	220	470	2500	3100	NNU4926	4.00	NNU4926	NNU4926
140	190	50	156	1.5	280	580	2200	2750	NNU4928	4.20	NNU4928	NNU4928
	210	53	158	2.0	270	590	2100	2600	NNU3028	6.50		
	210	62.5	158	2.0	370	700	2100	2600	NNU4028X1-1	7.90		
	210	77.5	158	2.0	450	950	2100	2600	NNU4028X1-2	9.80		
150	210	60	168.5	2.0	340	730	2000	2500	NNU4930	6.70	NNU4930	NNU4930
	225	60	169	2.1	380	700	1900	2350	NNU3030X1	8.70		
	270	120	180	3.0	930	1710	1600	2000	NNU4230X1	31.50		
160	220	60	178.5	2.0	330	680	1900	2350	NNU4932	6.90	NNU4932	NNU4932
170	230	60	188.5	2.0	340	700	1800	2200	NNU4934	7.25	NNU4934	NNU4934
180	250	69	202	2.0	400	850	1600	2000	NNU4936	10.50	NNU4936	NNU4936
	270	120	202	2.1	790	1650	1400	1800	NNU5036X3	25.80		
190	260	69	212	2.0	420	990	1450	1800	NNU4938	11.50	NNU4938	NNU4938
200	280	80	225	2.1	480	1040	1400	1700	NNU4940	15.00	NNU4940	NNU4940
	310	109	234	2.1	670	1440	1350	1700	NNU4040	32.70		
	310	130	229	2.1	1000	2270	1350	1700	NNU4940X2	38.90		
	360	148	242	4.0	1520	2890	1000	1250	NNU4240X1	71.90		
220	300	80	245	2.1	530	1150	1300	1600	NNU4944	18.00	NNU4944	NNU4944
	340	96	246	3.0	950	1760	950	1250	NNU3044X1	32.80		
240	320	80	265	2.1	620	1450	1200	1500	NNU4948	18.50	NNU4948	NNU4948
	360	165	270	3.0	1310	2950	1150	1420	NNU5048X1	61.70		
260	360	100	292	2.1	750	1900	1100	1350	NNU4952	35.80	NNU4952	NNU4952
	370	100	292	2.1	830	2050	1100	1350	NNU4952X2	37.10		
280	380	100	312	2.1	850	2100	1000	1250	NNU4956	36.00	NNU4956	NNU4956
300	420	118	339	3.0	950	2500	900	1150	NNU4960	54.50	NNU4960	NNU4960
320	440	118	359	3.0	1000	2700	850	1100	NNU4964	58.00	NNU4964	NNU4964



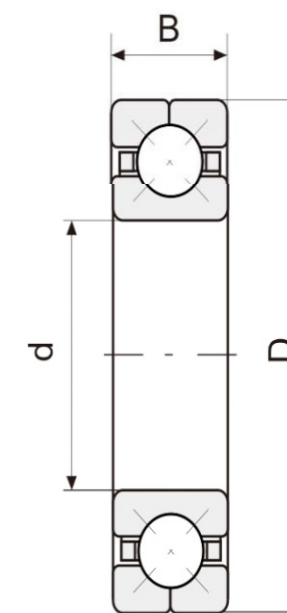
Four-point Contact
Ball Bearings



Four-point Contact
Ball Bearings



QJ0000



QJF0000

Four-point Contact Ball Bearings

Boundary dimensions (mm)				Basic load ratings (kN)		Speed rating (rpm)		Designations	Weight (kg)	Equivalent to foreign designations (For your information)			
d	D	B	r _{min}	Cr	Cor	Grease	Oil			SKF	FAG	NSK	NTN
100	149.5	24	1.5	80	100	2600	3600	QJ1020X1	1.55				
	149.5	24	1.5	80	100	2600	3600	QJF1020X1	1.55				
	150	24	1.5	80	100	2600	3600	QJ1020	1.55				
	150	24	1.5	80	100	2600	3600	QJF1020	1.55				
110	169.5	28	2.0	110	140	2300	3100	QJ1022X1	2.50				
	169.5	28	2.0	110	140	2300	3100	QJF1022X1	2.50				
	170	28	2.0	110	140	2300	3100	QJ1022	2.50				
	170	28	2.0	110	140	2300	3100	QJF1022	2.50				
	200	38	2.1	239	275	2100	2900	QJ222	5.60	QJ222N2	QJ222N2MPA	QJ222	QJ222
	200	38	2.1	239	275	2100	2900	QJF222	5.60	QA110	QA110		
	240	50	3.0	328	387	1800	2600	QJ322	12.50	QJ322N2	QJ322N2MPA	QJ322	QJ322
	240	50	3.0	328	387	1800	2600	QJF322	12.50				
120	179.5	28	2.0	115	150	2100	2900	QJ1024X1	2.80				
	179.5	28	2.0	115	150	2100	2900	QJF1024X1	2.80				
	180	28	2.0	115	150	2100	2900	QJ1024	2.80				
	180	28	2.0	115	150	2100	2900	QJF1024	2.80				
	215	40	2.1	257	306	1900	2700	QJ224	6.95	QJ224N2	QJ224N2MPA	QJ224	QJ224
	215	40	2.1	257	306	1900	2700	QJF224	6.95	QA120	QA120		
	260	55	3.0	351	441	1600	2200	QJ324	15.60	QJ324N2	QJ324N2MPA	QJ324	QJ324
	260	55	3.0	351	441	1600	2200	QJF324	15.60				
130	199.5	33	2.0	145	195	1900	2700	QJ1026X1	4.13				
	199.5	33	2.0	145	195	1900	2700	QJF1026X1	4.13				
	200	33	2.0	145	195	1900	2700	QJ1026	4.13				
	200	33	2.0	145	195	1900	2700	QJF1026	4.13				
	230	40	3.0	266	329	1800	2600	QJ226	7.75	QJ226N2	QJ226N2MPA	QJ226	
	230	40	3.0	266	329	1800	2600	QJF226	7.75	QA130	QA130		
	280	58	4.0	381	504	1500	2000	QJ326	19.50	QJ326N2	QJ326N2MPA	QJ326	
	280	58	4.0	381	504	1500	2000	QJF326	19.50				
140	209.5	33	2.0	160	205	1800	2600	QJ1028X1	4.21				
	209.5	33	2.0	160	205	1800	2600	QJF1028X1	4.21				
	210	33	2.0	160	205	1800	2600	QJ1028	4.21	QJ1028N2			
	210	33	2.0	160	205	1800	2600	QJF1028	4.21				
	250	42	3.0	293	396	1600	2200	QJ228	9.90	QJ228N2	QJ228N2MPA	QJ228	
	250	42	3.0	293	396	1600	2200	QJF228	9.90	QA140	QA140		
	300	62	4.0	421	576	1300	1800	QJ328	24.00	QJ328N2	QJ328N2MPA	QJ328	
	300	62	4.0	421	576	1300	1800	QJF328	24.00				

Four-point Contact Ball Bearings

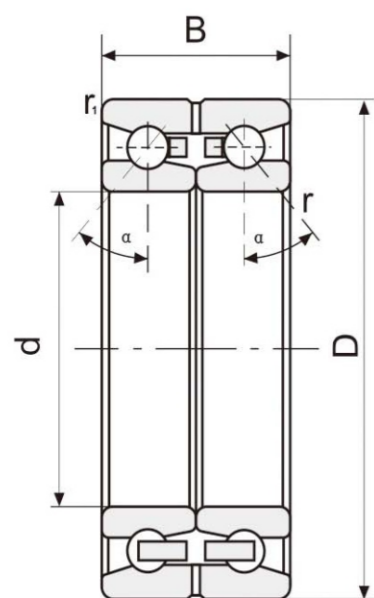
Boundary dimensions (mm)				Basic load ratings (kN)		Speed rating (rpm)		Designations	Weight (kg)	Equivalent to foreign designations (For your information)			
d	D	B	r _{min}	Cr	Cor	Grease	Oil			SKF	FAG	NSK	NTN
145	225	40	2.1	180	305	1700	2400	QJF1029X2	6.40				
150	224.5	35	2.1	170	230	1600	2200	QJ1030X1	5.20				
	224.5	35	2.1	170	230	1600	2200	QJF1030X1	5.20				
	225	35	2.1	170	230	1600	2200	QJ1030	5.20	QJ1030N2			
	225	35	2.1	170	230	1600	2200	QJF1030	5.20				
	270	45	3.0	304	419	1500	2000	QJ230	12.50	QJ230N2	QJ230N2MPA	QJ230	
	270	45	3.0	304	419	1500	2000	QJF230	12.50	QA150	QA150		
320	65	4.0	444	639	1100	1500	QJ330	29.00	QJ330N2	QJ330N2MPA	QJ330		
	320	65	4.0	444	639	1100	1500	QJF330	29.00				
160	239.5	38	2.1	220	300	1500	2000	QJ1032X1	6.36				
	239.5	38	2.1	220	300	1500	2000	QJF1032X1	6.36				
	240	38	2.1	220	300	1500	2000	QJ1032	6.36	QJ1032N2			
	240	38	2.1	220	300	1500	2000	QJF1032	6.36				
	290	48	3.0	351	513	1300	1800	QJ232	15.50	QJ232N2	QJ232N2MPA	QJ232	
	290	48	3.0	351	513	1300	1800	QJF232	15.50	QA160	QA160		
	340	68	4.0	486	734	1000	1400	QJ332	34.50		QJ332N2MPA	QJ332	
340	68	4.0	486	734	1000	1400	QJF332	34.50					
170	259.5	42	2.1	225	315	1400	1900	QJ1034X1	8.40				
	259.5	42	2.1	225	315	1400	1900	QJF1034X1-1	8.40				
	260	42	2.1	225	315	1400	1900	QJ1034	8.40	QJ1034N2			
	260	42	2.1	225	315	1400	1900	QJF1034	8.40				
	265	42	2.1	225	315	1400	1900	QJF1034X1-2	9.40				
310	52	4.0	357	540	1100	1500	QJ234	19.50	QJ234N2	QJ234N2MPA	QJ234		
175	259.5	40	2.1	210	380	1300	1800	QJ1035X2	10.00				
180	249.5	33	2.0	175	345	1300	1800	QJF1936X1	4.80				
	259.5	52	2.1	170	330	1300	1800	QJF3936X1	9.30				
	280	46	2.1	250	365	1200	1600	QJ1036	11.00	QJ1036N2			
	280	46	2.1	250	365	1200	1600	QJF1036	11.00				
	320	52	4.0	392	612	1000	1400	QJ236	20.50	QJ236N2		QJ236	
320	52	4.0	392	612	1000	1400	QJF236	20.50	QA180	QA180			
190	269.5	55	2.0	200	395	1200	1600	QJF3938X1	10.50				
	289.5	46	2.1	260	380	1100	1500	QJ1038X1	11.40				
	289.5	46	2.1	260	380	1100	1500	QJF1038X1	11.40				
	290	46	2.1	260	380	1100	1500	QJ1038	11.50	QJ1038N2			
	290	46	2.1	260	380	1100	1500	QJF1038	11.50				
	340	55	4.0	439	702	1000	1400	QJ238	24.50	QJ238N2		QJ238	

Four-point Contact Ball Bearings

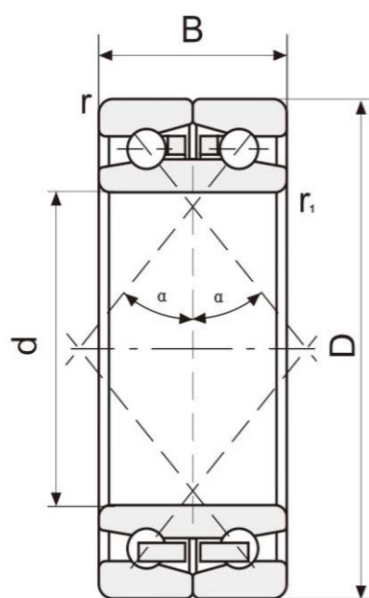
Boundary dimensions (mm)				Basic load ratings (kN)		Speed rating (rpm)		Designations	Weight (kg)	Equivalent to foreign designations (For your information)			
d	D	B	r _{min}	Cr	Cor	Grease	Oil			SKF	FAG	NSK	NTN
190	340	55	4.0	439	702	1000	1400	QJF238	24.50	QA190	QA190		
200	280	51	2.1	210	420	1100	1500	QJF2940X2	10.30				
	289.5	58	2.1	235	415	1100	1500	QJF3940X3	13.60				
	310	51	2.1	305	475	1000	1400	QJ1040	15.20	QJ1040N2			
	310	51	2.1	305	475	1000	1400	QJF1040	15.20				
	360	58	4.0	456	765	970	1350	QJ240	28.50	QJ240N2	QJ240N2MPA	QJ240	
220	360	58	4.0	456	765	970	1350	QJF240	28.50	QA200	QA200		
	300	60	2.1	160	340	1000	1400	QJF3944	12.50				
	309.5	60	2.1	215	430	1000	1400	QJF3944X1	14.80				
	340	56	3.0	450	620	970	1350	QJ1044	19.50	QJ1044N2			
	340	56	3.0	450	620	970	1350	QJF1044	19.50				
240	329.5	60	2.1	230	480	970	1350	QJF3948X1	16.10				
	340	60	2.1	270	580	950	1300	QJF3948X2	17.80				
	360	56	3.0	460	655	950	1300	QJ1048	22.30	QJ1048N2			
	360	56	3.0	460	655	950	1300	QJF1048	22.30				
260	359.5	65	2.1	280	630	920	1270	QJF2952X2	22.20				
	369.5	60	2.1	300	660	900	1250	QJF2952X1	23.00				
	374.5	60	2.1	300	660	900	1250	QJF2952X3	23.50				
	400	65	4.0	510	765	850	1200	QJ1052	32.60	QJ1052N2			
	400	65	4.0	510	765	850	1200	QJF1052	32.60				
280	375	65	2.1	235	525	850	1200	QJF2956X2	21.00				
	389.5	65	2.1	300	700	820	1180	QJF2956X3	25.50				
	420	65	4.0	540	835	800	1000	QJ1056	34.70	QJ1056N2			
	420	65	4.0	540	835	800	1000	QJF1056	34.70				
300	420	65	3.0	355	870	800	1000	QJF2960X1	30.50				
	460	74	4.0	630	1040	700	950	QJ1060	47.00	QJ1060N2			
	460	74	4.0	630	1040	700	950	QJF1060	47.00				
320	440	65	3.0	360	900	700	950	QJF2964X2	31.00				
	480	74	4.0	650	1090	650	850	QJ1064	49.50	QJ1064			
	480	74	4.0	650	1090	650	850	QJF1064	49.50				
	479.5	74	4.0	650	1090	650	850	QJF1064X1	50.00				
340	519.5	82	5.0	730	1380	620	820	QJ1068X1	66.00				
	519.5	82	5.0	730	1380	620	820	QJF1068X1	66.00				
	520	82	5.0	730	1380	620	820	QJ1068	66.00				
	520	82	5.0	730	1380	620	820	QJF1068	66.00				



Double Row Angular Contact Ball Bearings



0000D

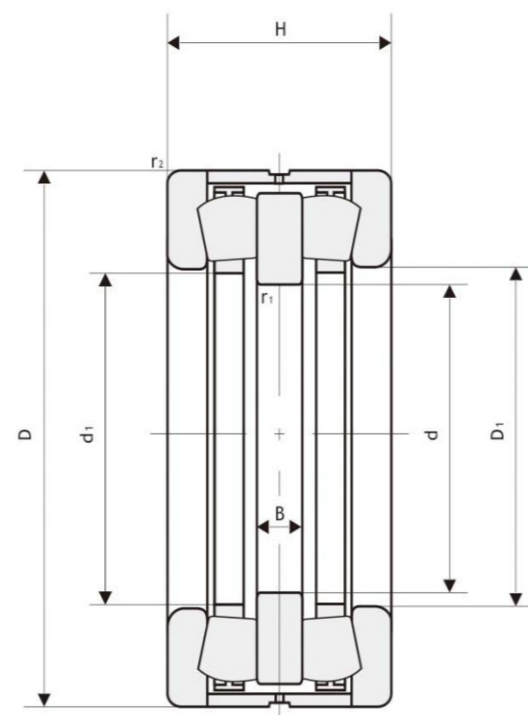


0000DC

Double Row Angular Contact Ball Bearings

Boundary dimensions (mm)				Basic load ratings (kN)		Speed rating (rpm)		Designations	Weight (kg)	Equivalent to foreign designations (FYI)	
d	D	B	r _{min}	Cr	Cor	Grease	Oil			SKF	FAG
130	210	80	2.0	142	235	1850	2500	4026X2D	9.70		
140	209.5	66	2.0	134	237	1800	2400	4028X3D	8.28	309515D	538854
	210	69	2.0	124	217	1800	2400	4028D	10.10		
150	225	73	2.1	159	280	1600	2200	4030X2D	10.50	305286D	510776A
	225	75	2.1	159	280	1600	2200	4030D	10.80		
	230	70	2.1	159	280	1600	2200	4030X3D	11.10	305283D	506963
160	215	56	1.8	132	204	1600	2200	4932X2DC	5.27	305608	514478
	240	76	2.0	232	325	1450	1850	4032X2DC	12.30	305183	507511
	240	80	2.1	171	305	1500	2000	4032D	13.00		
170	259.5	84	2.1	208	385	1400	1900	4934X3D	16.70		
	260	84	2.1	280	405	1300	1700	156134	16.50	305180	503288
	260	90	2.1	208	385	1400	1900	4034D	18.10		538853
180	259.5	66	2.1	153	293	1300	1800	4936X3D	12.00	305262D	509059A
	280	100	2.1	240	451	1300	1800	4036D	23.60		
190	269.5	66	2.1	163	318	1200	1700	4938X3D	11.60	305338D	508658A
	290	100	2.1	247	480	1200	1700	4038D	24.60		
200	279.5	76	2.1	201	387	1100	1600	4940X3D	14.80	305428D	508733A
	289.5	76	2.1	221	439	1100	1600	4940X3D-1	17.30	305263D	509590A
	310	109	2.1	273	558	1100	1600	4040D	31.70		
220	309.5	76	3.0	238	491	1060	1400	4944X3D	18.50	305272D	511045A
	340	118	3.0	309	670	1060	1400	4044D	41.40		
230	329.5	80	3.0	203	423	1020	1400	4946X1D	22.90	305264D	508732A
240	360	118	3.0	315	706	1000	1300	4048D	44.30		
	359.5	118	3.0	315	706	1000	1300	4048X1D	44.10		
	370	112	3.0	314	707	1000	1300	4048X3D	47.00		
	440	144	3.0	475	1139	1000	1300	3248X2D	105.00		
260	369.5	92	4.0	286	652	890	1200	4952X3D	30.00	305270D	508731
	400	140	4.0	376	901	890	1200	4052D	68.00		
280	389.5	92	4.0	278	650	850	1100	4956X3D-1	31.90	305269D	508730
	390	92	4.0	278	650	850	1100	4956X3D	32.00		
	420	140	4.0	383	947	850	1100	4056D	72.00		
300	419.5	112	4.0	350	863	800	1080	4960X3D	50.50		
	460	160	4.0	425	1098	770	1060	4060D	103.00		
320	459.5	140	4.0	396	1022	740	1000	4064X3D	79.90		
	480	160	4.0	432	1142	740	1000	4064D	109.00		
340	520	180	5.0	480	1280	700	900	4068D	135.00		

Bilateral Double-row Thrust Tapered Roller Bearings



829000

Bilateral Double-row Thrust Tapered Roller Bearings

Boundary dimensions (mm)						Basic load ratings (kN)		Designations	Weight (kg)	Equivalent to foreign designations (FYI)	
d	D	H	d1	D1	B	Cr	Cor			SKF	FAG
160	300	110	186	190	34	580	2900	829232	3.5		515805
170	240	84	182	184	20	380	1390	829234	12.5	350980C	528974
180	280	90	192	196	20	580	2900	829736	21.0	353162	528294
220	300	96	231	236	22	450	1800	829244	19.5	351019C	528876
230	400	180	254	260	42	980	4800	829746	114.0		530852
240	320	96	251	256	22	430	2000	829748	21.5	351182C	529086
250	380	100	265	275	22	850	5000	829950	42.3	353005	502010
260	360	92	276	285	20	630	3200	829252	27.7	350981C	509352
270	450	180	300	310	45	1700	6100	829954	118.0	351164C	
300	420	100	324	330	23	890	4500	829260	42.0		524740
320	440	108	348	355	26	990	4700	829264	48.0	353102C	528562
320	470	130	340	350	30	1350	5800	829764	79.0	350982C	509654
350	490	130	380	390	30	1200	5300	829970	73.5	351100C	530739
350	540	135	384	400	30	1750	9200	829970K	112.0	353006	522008
360	560	200	382	396	48	2400	12500	829272	180.0		524194
380	530	130	398	410	30	1800	10000	829276	88.0		513828
380	560	130	416	430	32	1800	10000	829776	108.0	351175C	513125
380	650	215	446	450	65	3400	17200	829976	275.0	BFDB353204	545936
400	650	200	436	450	50	2700	13800	829780	250.0		540162
420	620	170	455	465	35	2420	12200	829784	185.0	351121C	
420	620	170	455	470	35	2420	12200	829784K	182.0		509392
440	645	167	480	490	50	1980	10800	829788	190.0	353151	
450	645	155	480	490	38	1980	10800	829990	170.0	350916D	



GESTION ROULEMENTS BEARINGS
BEARINGS CANADA